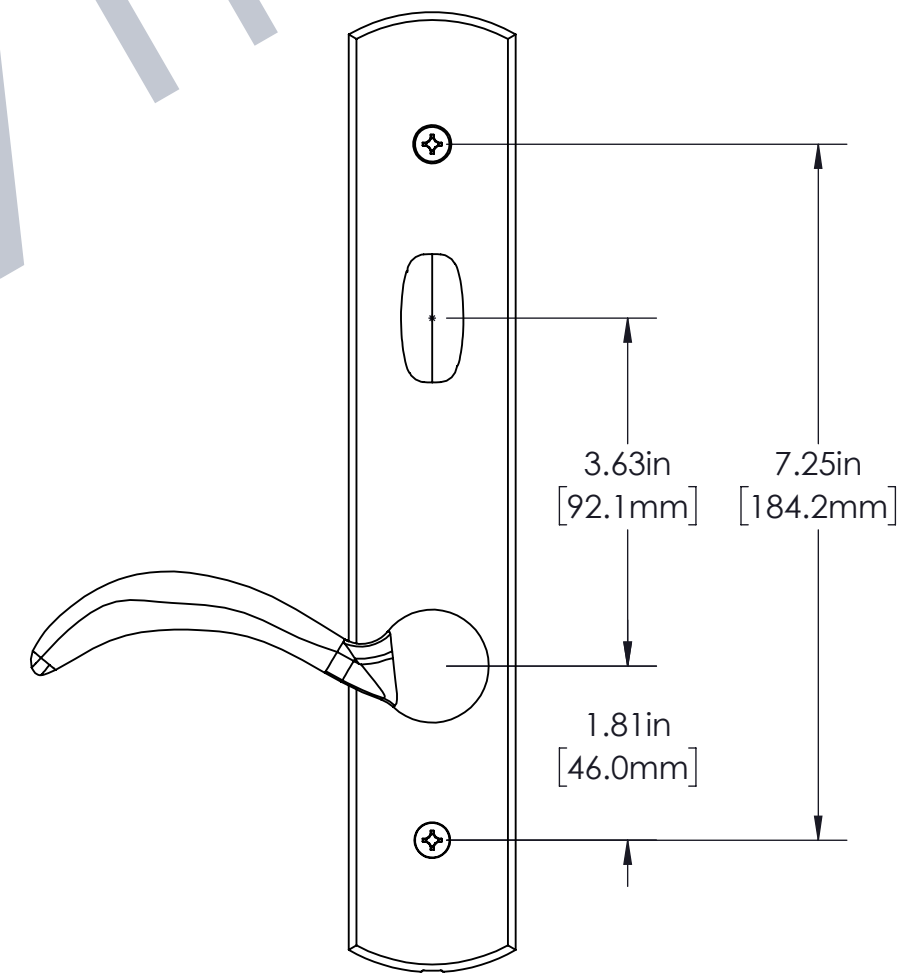
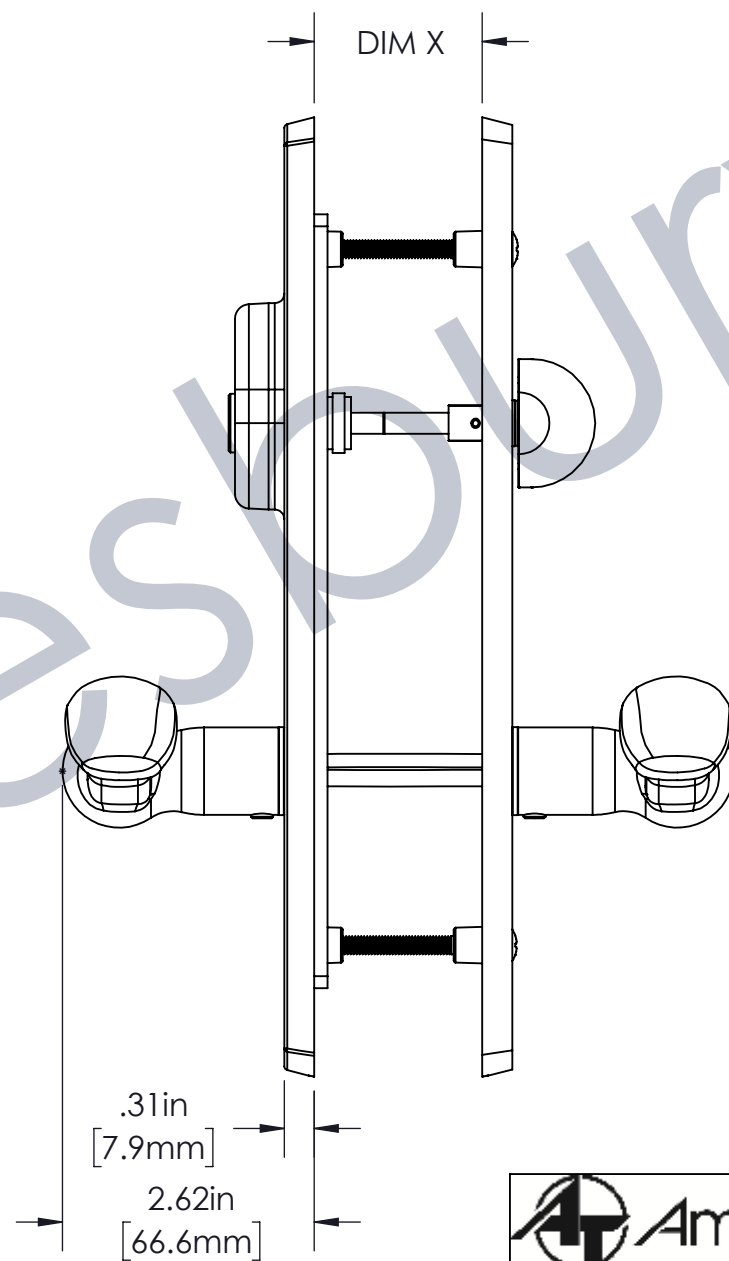
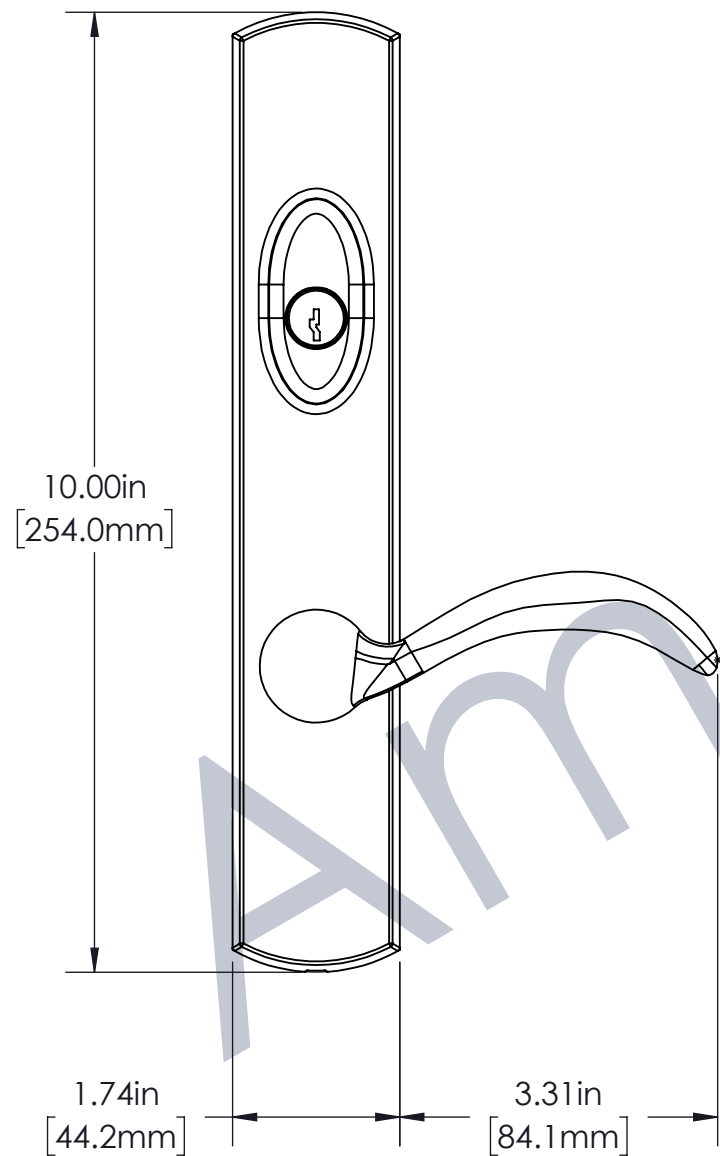


TRIMSET	DESCRIPTION	DIM X
W5206R-K0100	STANDARD	1.7"
W5206R-K0200	STANDARD	2.0"
W5206R-K0300	KEYED ALIKE	1.7"
W5206R-K0400	KEYED ALIKE	2.0"
W5206R-K0500	KEYED ALIKE, PAINTED	1.7"
W5206R-K0600	KEYED ALIKE, PAINTED	2.0"
W5206R-K0700	PAINTED	1.7"
W5206R-K0800	PAINTED	2.0"



CUSTOMER PAGE

<p>Amesbury Truth Engineered Solutions. Trusted Results.</p> <p>THE INFORMATION CONTAINED IN THIS DRAWING IS CONFIDENTIAL AND PROPRIETARY. THIS DRAWING IS NOT TO BE COPIED OR REPRODUCED IN WHOLE OR IN PART WITHOUT EXPRESS WRITTEN PERMISSION.</p>	<p>INTERPRET PER: ASME Y14.5M-2009</p> <p>UNITS: INCH</p>	<p>DRAWING TITLE: FORGINGS KEYED HANDLE SET</p>
	<p>THIRD ANGLE PROJECTION</p>	<p>SCALE: 1:2</p> <p>DRAWING #: W5206R-K</p>